

BRASS BALL VALVE ACS PN30 BATIMENT + 4MS

4MS brass ball valves full bore with large flat sealing face for drinking water and water distribution.
PTFE packing and anti blow-out stem.
Flat black reversible steel handle with Dacromet coating.



Size : DN1/4" to DN4"
Ends : Male, Female BSP
Min Temperature : -10°C
Max Temperature : +120°C
Max Pressure : 30 Bars (up to DN1")
Specifications : Anti blow-out stem
PTFE packing
Full bore

Materials : Brass EN 12165-CW617N-4MS

BRASS BALL VALVE ACS PN30 BATIMENT + 4MS

SPECIFICATIONS :

- Brass according to the 4MS authorized list
- Full bore
- Anti blow-out stem
- Large flat sealing face
- Solid ball
- PTFE packing
- Flat steel handle or aluminium butterfly handle
- Handle nut Dacromet coated (salt spray protection)
- Marking body " 80S " with ACS, 4MS, fabrication date and logo
- ACS and 4MS on the handle
- Reversible handle
- Hole on the handle allowing the locking of the valve (thanks to a rilsan clamp)



USE :

- Water distribution
- Min temperature Ts : - 10°C
- Max temperature Ts : + 120°C
- Max pressure Ps : 30 bars up to DN 1" , 20 bars in 1"1/4 and 1"1/2 , 16 bars in 2" and 10 bars over

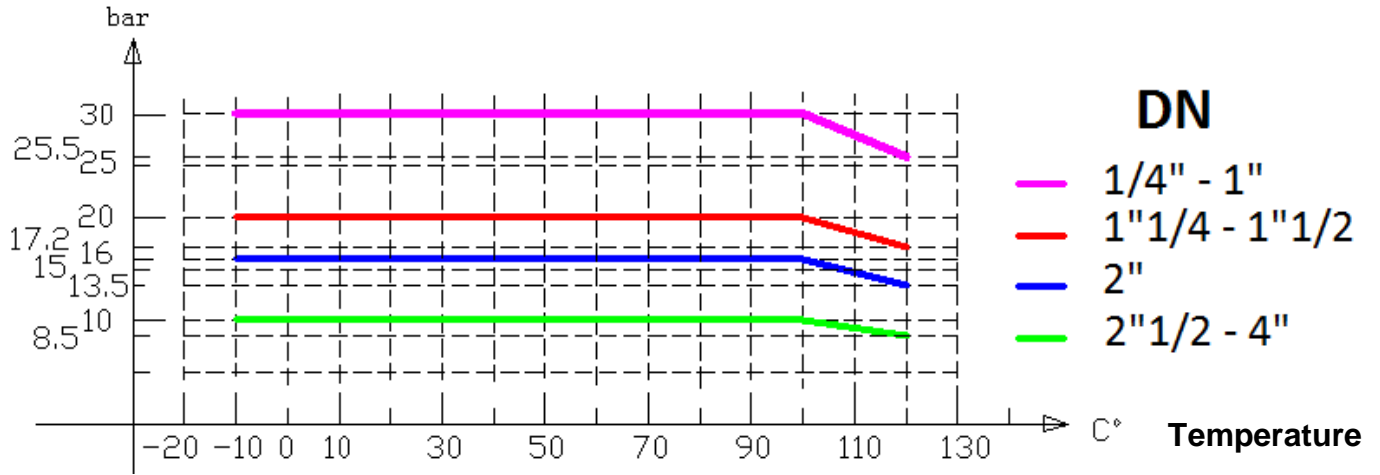
RANGE :

- Female / Female with blue flat steel handle **Ref. 508** 1/4" to 2"
- Female / Female with red flat steel handle **Ref. 580** 1/4" to 4"
- Female / Female with red butterfly handle **Ref. 586** 1/4" to 1"
- Female / Female with blue butterfly handle **Ref. 564** 1/4" to 1"
- Male / Female with blue flat steel handle **Ref. 511** 1/4" to 1"
- Male / Female with red flat steel handle **Ref. 581** 1/4" to 2"
- Male / Female with red butterfly handle **Ref. 587** 1/4" to 1"
- Male / Female with blue butterfly handle **Ref. 533** 1/4" to 1"
- Male / Male with blue flat steel handle **Ref. 529** 3/8" to 1"
- Male / Male with red flat steel handle **Ref. 582** 3/8" to 2"
- Male / Male with red butterfly handle **Ref. 588** 3/8" to 1"
- Male / Male with blue butterfly handle **Ref. 536** 3/8" to 1"
- Female / Female with drain 1/4" with red flat steel handle **Ref. 585** 1/2" to 2"
- Female / Female with drain 1/4" with red butterfly handle **Ref. 560** 1/2" to 1"
- Stem extension **Ref. 9812330 to 9812334** from 3/8" to 2"



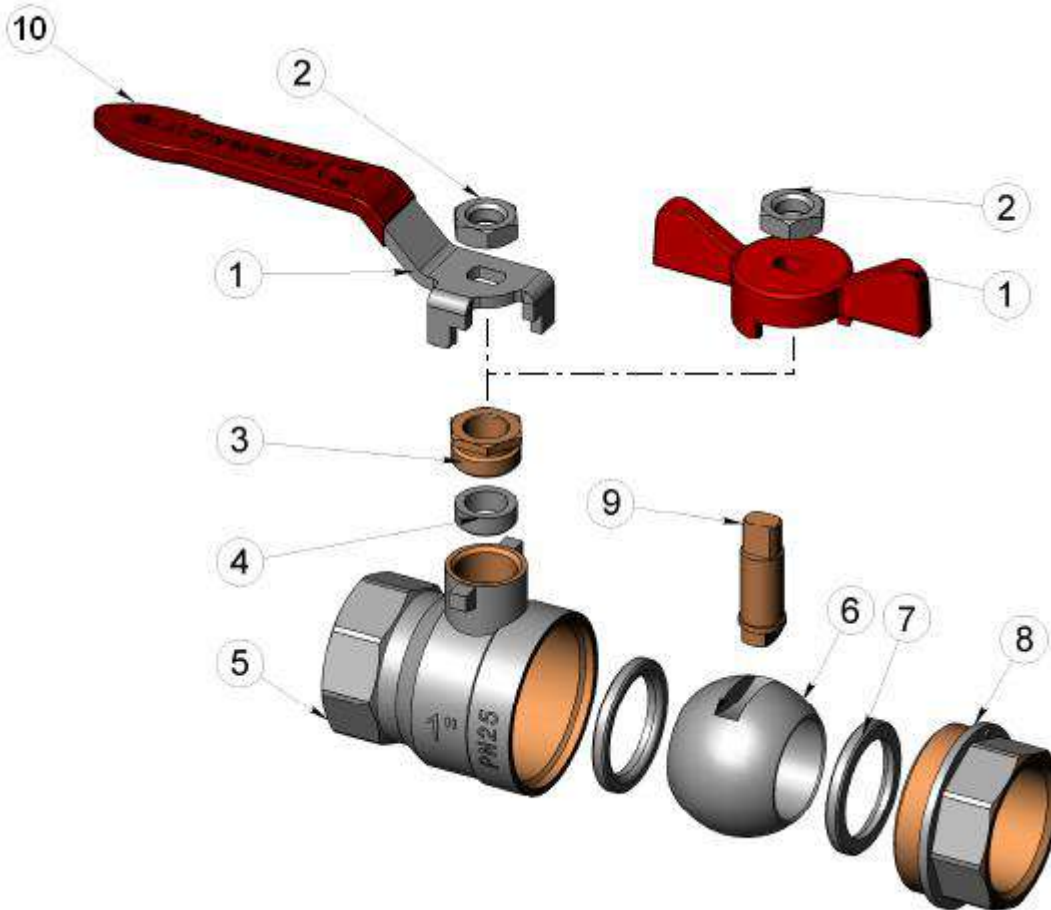
BRASS BALL VALVE ACS PN30 BATIMENT + 4MS

PRESSURE / TEMPERATURE GRAPH (STEAM EXCLUDED) :



BRASS BALL VALVE ACS PN30 BATIMENT + 4MS

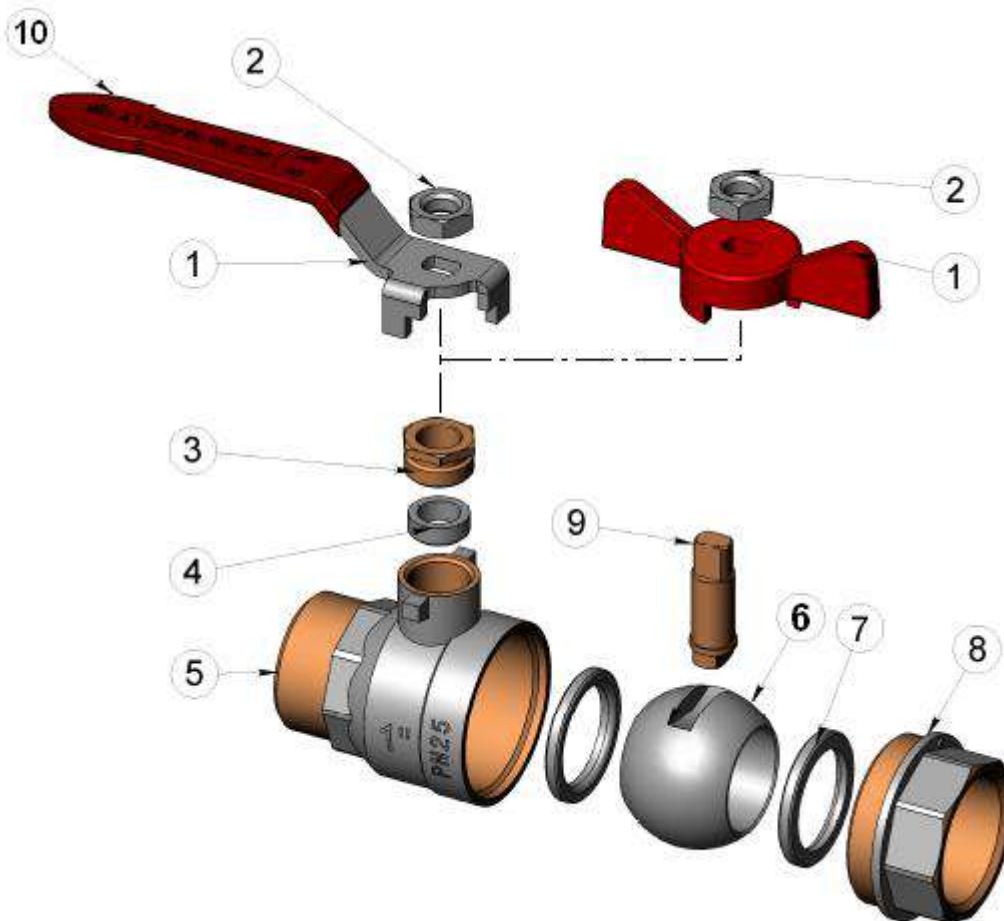
MATERIALS FEMALE – FEMALE TYPES :



Item	Designation	Materials 508-580	Materials 564-586
1	Handle	Steel Q235	Aluminium
2	Handle nut	Steel Q235 Dacromet coated	
3	Packing nut	Brass	
4	Packing	PTFE	
5	Body (external)	Brass CW 617 N 4MS according to EN 12165 nickeled	
5	Body (internal)	Brass CW 617 N 4MS according to EN 12165	
6	Ball	Chromed brass	
7	Seat	PTFE	
8	Bonnet (external)	Brass CW 617 N 4MS according to EN 12165 nickeled	
8	Bonnet (internal)	Brass CW 617 N 4MS according to EN 12165	
9	Stem	Brass	
10	Handle cover	Plastic	-

BRASS BALL VALVE ACS PN30 BATIMENT + 4MS

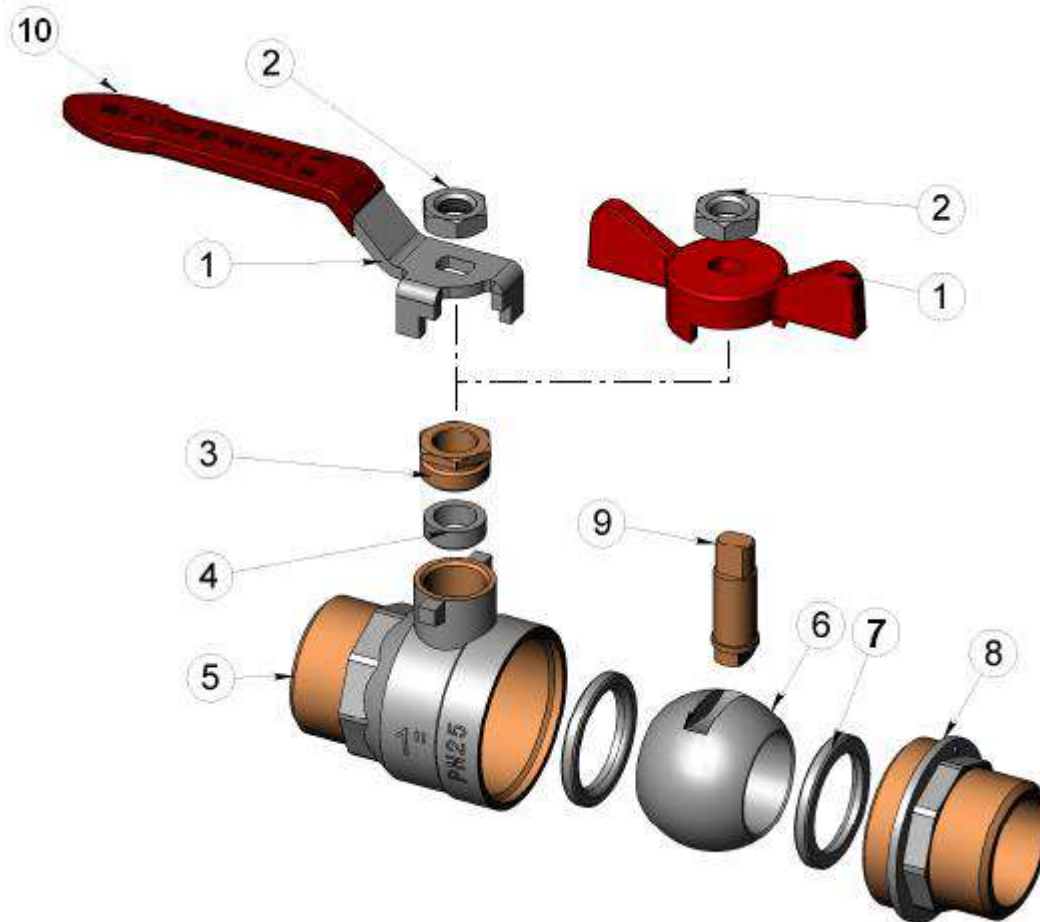
MATERIALS MALE - FEMALE TYPES :



Item	Designation	Materials 511-581	Materials 533-587
1	Handle	Steel Q235	Aluminium
2	Handle nut	Steel Q235 Dacromet coated	
3	Packing nut	Brass	
4	Packing	PTFE	
5	Body (external)	Brass CW 617 N 4MS according to EN 12165 nickeled	
5	Body (internal)	Brass CW 617 N 4MS according to EN 12165	
6	Ball	Chromed brass	
7	Seat	PTFE	
8	Bonnet (hexagonal)	Brass CW 617 N 4MS according to EN 12165 nickeled	
8	Bonnet	Brass CW 617 N 4MS according to EN 12165	
9	Stem	Brass	
10	Handle cover	Plastic	-

BRASS BALL VALVE ACS PN30 BATIMENT + 4MS

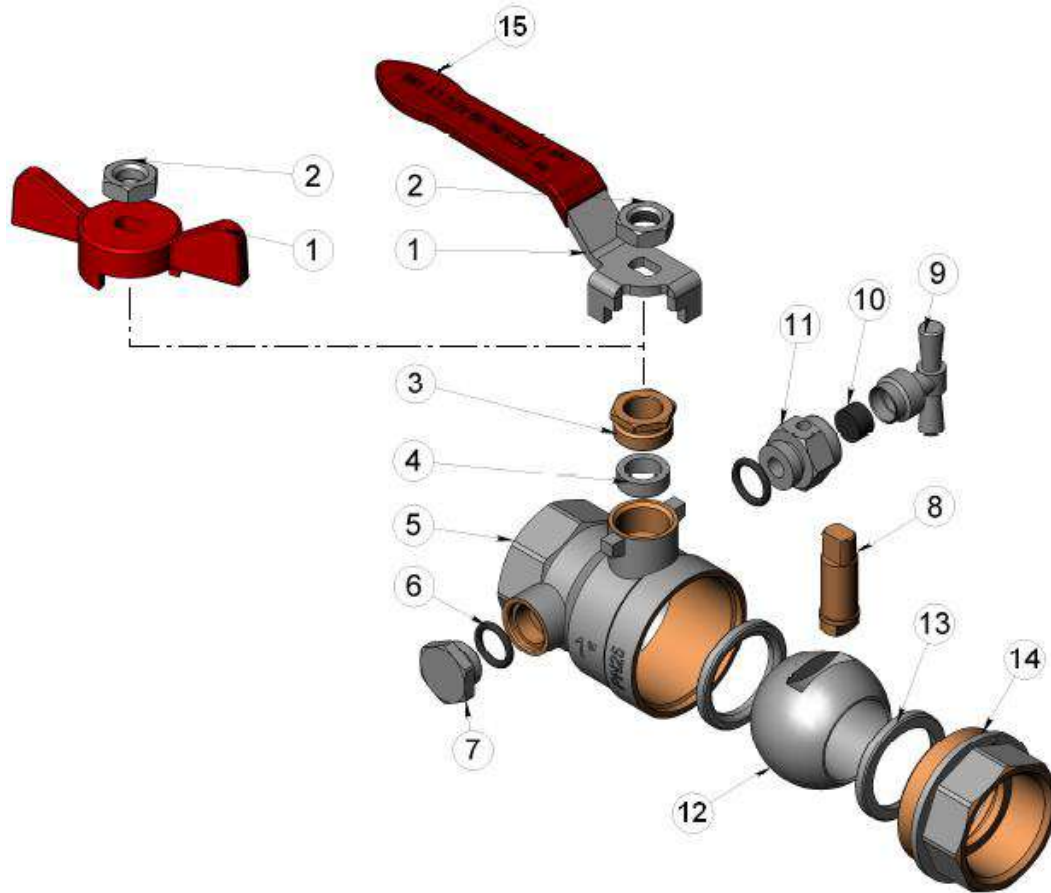
MATERIALS MALE – MALE TYPES :



Item	Designation	Materials 529-582	Materials 536-588
1	Handle	Steel Q235	Aluminium
2	Handle nut	Steel Q235 Dacromet coated	
3	Packing nut	Brass	
4	Packing	PTFE	
5	Body (external)	Brass CW 617 N 4MS according to EN 12165 nickeled	
5	Body (internal)	Brass CW 617 N 4MS according to EN 12165	
6	Ball	Chromed brass	
7	Seat	PTFE	
8	Bonnet (hexagonal)	Brass CW 617 N 4MS according to EN 12165 nickeled	
8	Bonnet	Brass CW 617 N 4MS according to EN 12165	
9	Stem	Brass	
10	Handle cover	Plastic	-

BRASS BALL VALVE ACS PN30 BATIMENT + 4MS

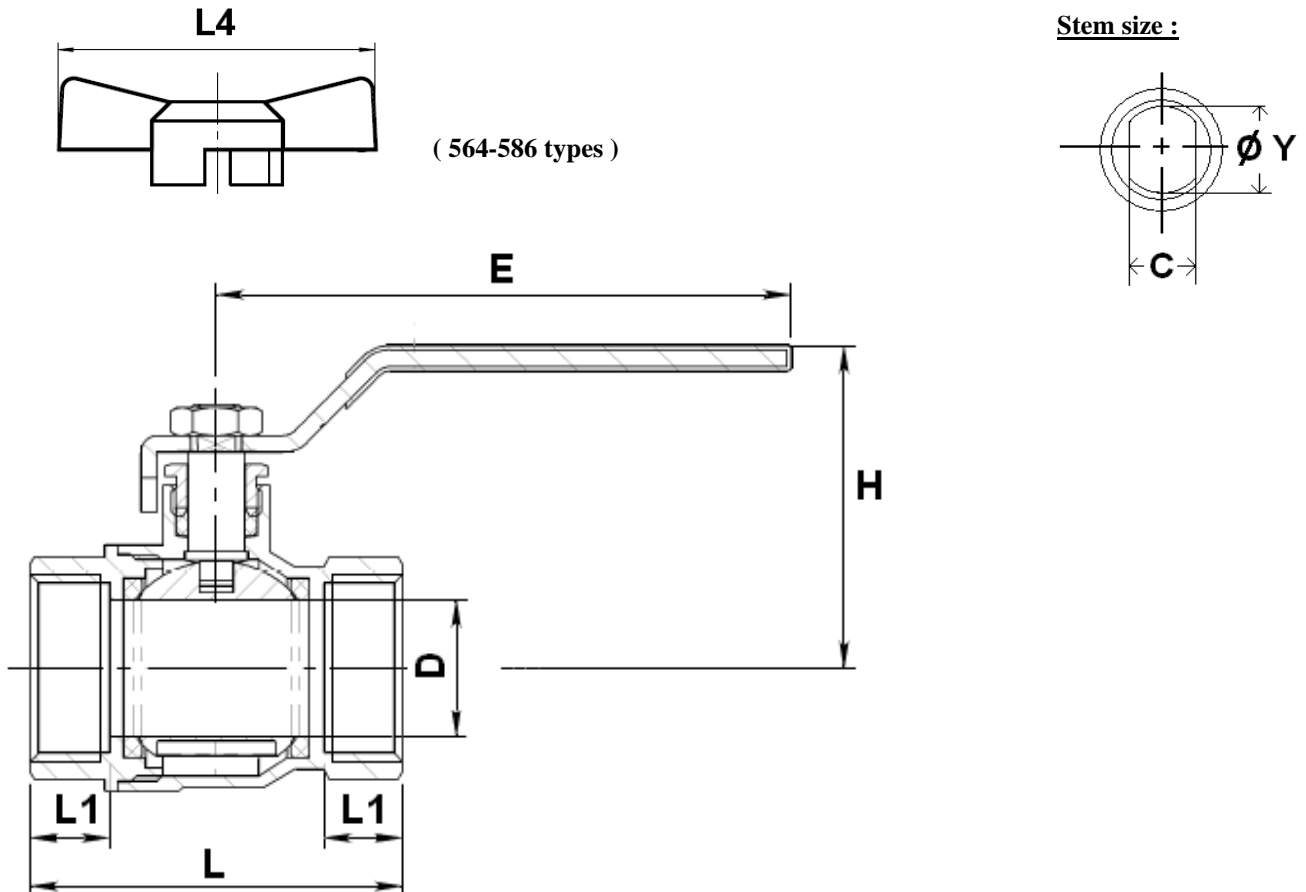
MATERIALS FEMALE – FEMALE WITH DRAINER TYPES :



Item	Designation	Materials 585	Materials 560
1	Handle	Steel Q235	Aluminium
2	Handle nut	Steel Q235 Dacromet coated	
3	Packing nut	Brass	
4	Packing	PTFE	
5	Body (external)	Brass CW 617 N 4MS according to EN 12165 nickeled	
5	Body (internal)	Brass CW 617 N 4MS according to EN 12165	
6	O ring	NBR	
7	Plug	Nickeled Brass	
8	Stem	Brass	
9	Screw	Nickeled Brass	
10	Washer	NBR	
11	Manifold	Nickeled Brass	
12	Ball	Chromed Brass	
13	Seat	PTFE	
14	Bonnet (external)	Brass CW 617 N 4MS according to EN 12165 nickeled	
14	Bonnet (internal)	Brass CW 617 N 4MS according to EN 12165	
15	Handle cover	Plastic	-

BRASS BALL VALVE ACS PN30 BATIMENT + 4MS

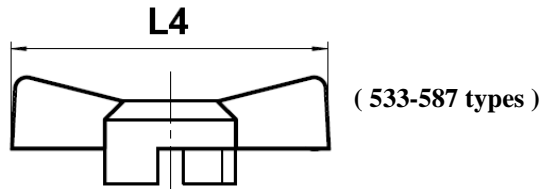
FEMALE / FEMALE SIZE (in mm) :



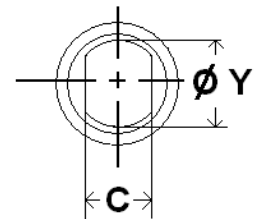
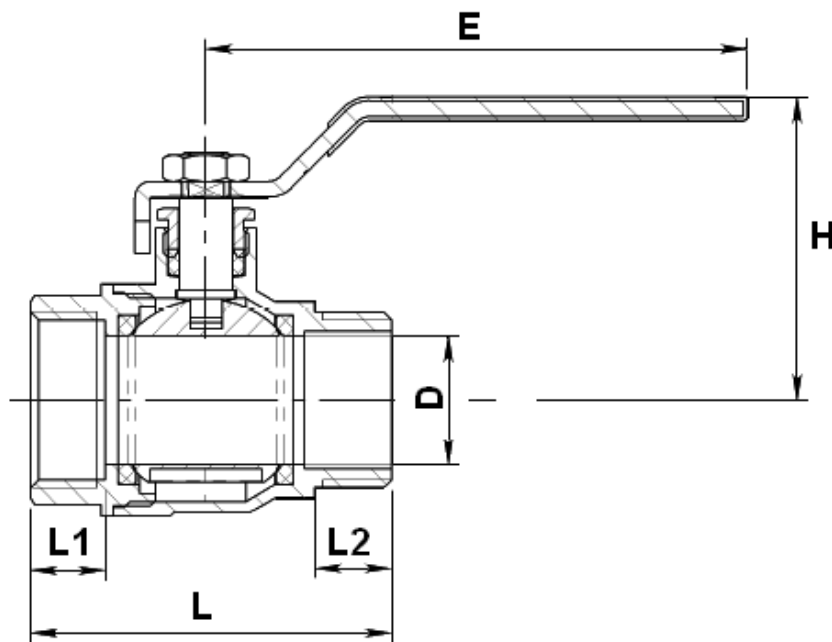
Ref.	DN	1/4"	3/8"	1/2"	3/4"	1"	1"1/4	1"1/2	2"	2"1/2	3"	4"
508	Ø D	8	10	14.5	19	24.5	31	39.5	49.5	62	74	85
	L	44	44	49	56	66	76	87	103	132	148	168
	L1	11.5	11.5	12	13	14	15	16	18	24	26	28
	L4	54	54	54	54	70						
564	E	81.5	81.5	81.5	104	102	120	120	142	236	236	240
580	H	41.8	41.8	45	48	57	67.5	73.5	87.5	110.5	119.5	129
586	C	4.8	4.8	4.8	4.8	5.8	7.8	7.8	7.8	11.8	11.8	11.8
	Ø Y	M6x1		M8x1.25		M9x1.25	M12x1.75		M14x2			M20x2.5
508/580	Weight (Kg)	0.134	0.124	0.176	0.252	0.384	0.572	0.840	1.364	2.49	3.19	4.905
564/586	Weight (Kg)	0.112	0.101	0.156	0.220	0.364						

BRASS BALL VALVE ACS PN30 BATIMENT + 4MS

MALE / FEMALE SIZE (in mm) :



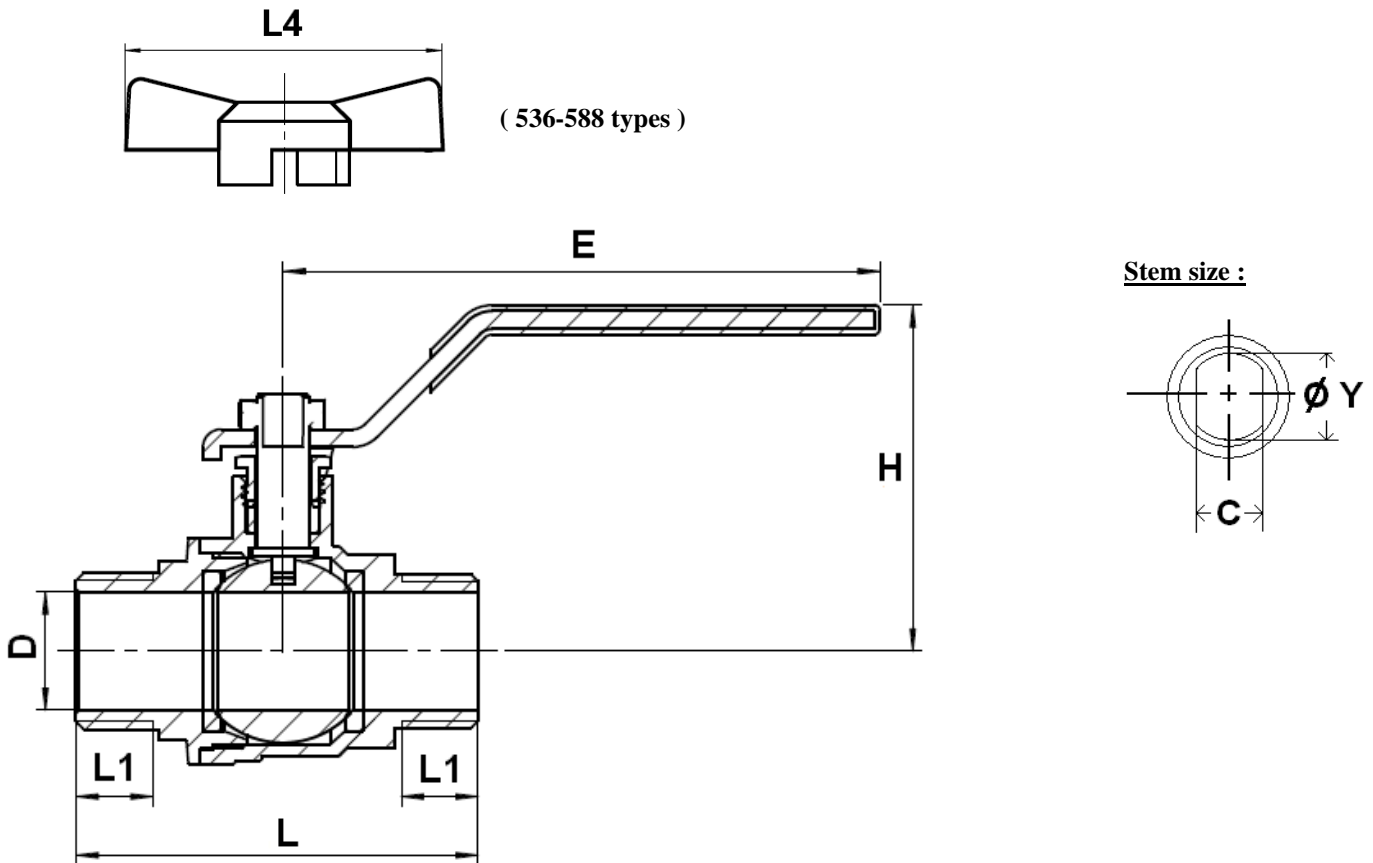
Stem size :



Ref.	DN	1/4"	3/8"	1/2"	3/4"	1"	1"1/4"	1"1/2"	2"
511	Ø D	8	10	14.5	19	24.5	31	39.5	49.5
	L	45	45	52	60.5	68	81.5	95.5	112.5
	L1	11.5	11.5	12	13	14	15	16	18
	L2	10	10	10	12	14	15	16	18
533	L4	54	54	54	54	70			
581	E	81.5	81.5	81.5	104	102	120	120	142
587	H	41.8	41.8	45	48	57	67.5	73.5	87.5
	C	4.8	4.8	4.8	4.8	5.8	7.8	7.8	7.8
	Ø Y	M6x1		M8x1.25		M9x1.25	M12x1.75		M14x2
511-581	Weight (Kg)	0.125	0.124	0.182	0.254	0.380	0.590	0.855	1.410
533/587	Weight (Kg)	0.105	0.101	0.162	0.222	0.367			

BRASS BALL VALVE ACS PN30 BATIMENT + 4MS

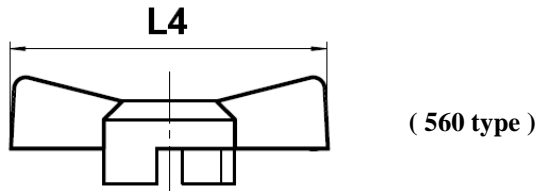
MALE / MALE SIZE (in mm) :



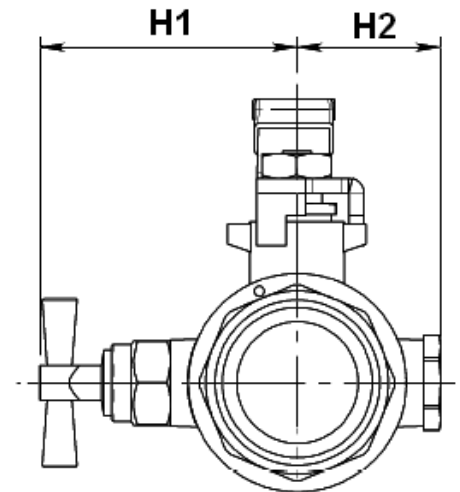
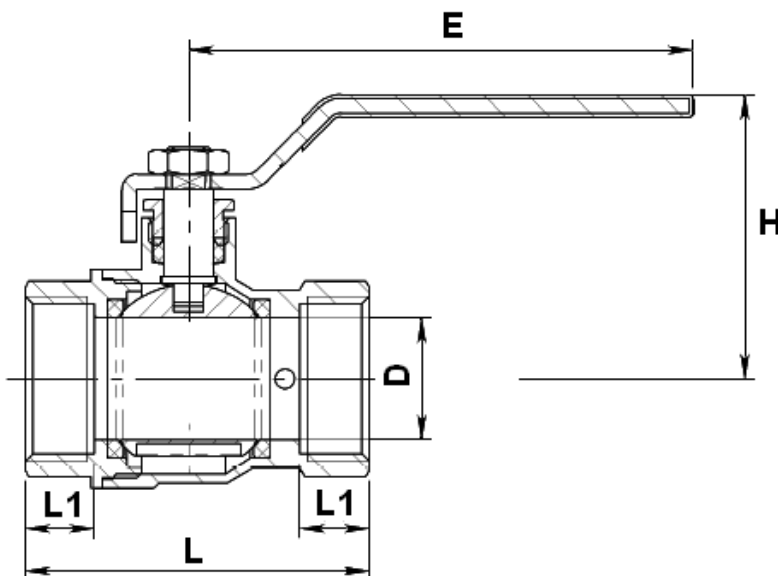
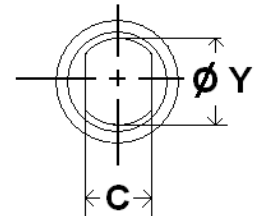
Ref.	DN	3/8"	1/2"	3/4"	1"	1"1/4	1"1/2	2"
529	Ø D	10	14.5	19	24.5	31	39.5	49.5
	L	50.5	57	66.5	75	90.5	104	122.5
	L1	10	10	12	14	15	16	18
	L4	54	54	54	70			
536	E	81.5	81.5	104	102	120	120	142
582	H	41.8	45	48	57	67.5	73.5	87.5
588	C	4.8	4.8	4.8	5.8	7.8	7.8	7.8
	Ø Y	M6x1	M8x1.25		M9x1.25	M12x1.75		M14x2
529-582	Weight (Kg)	0.132	0.19	0.268	0.394	0.63	0.865	1.435
536-588	Weight (Kg)	0.113	0.168	0.24	0.37			

BRASS BALL VALVE ACS PN30 BATIMENT + 4MS

FEMALE / FEMALE WITH DRAINER SIZE (in mm) :



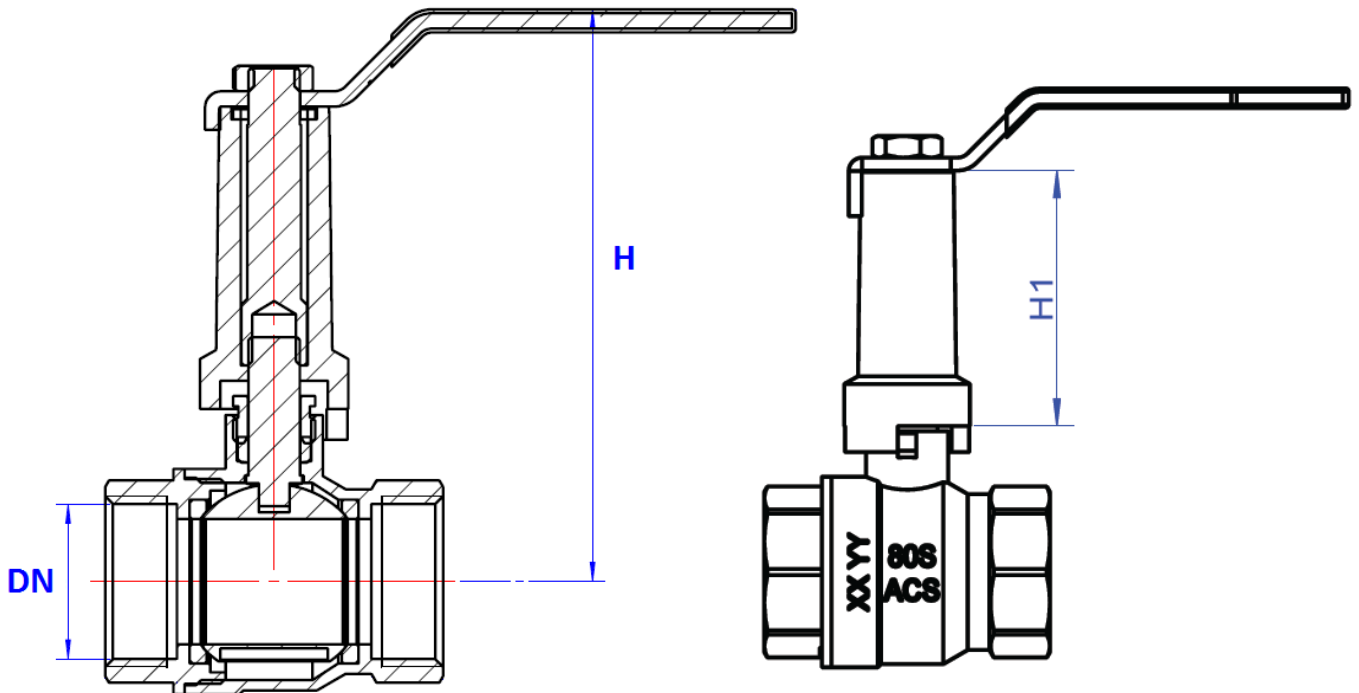
Stem size :



Ref.	DN	1/2"	3/4"	1"	1"1/4"	1"1/2"	2"
560	Ø D	14.5	19	24.5	31	39.5	49.5
	L	52.5	59.5	69.5	79.5	91	106.5
	L1	12	13	14	15	16	18
	E	81.5	104	102	120	120	142
	H	45	48	57	67.5	73.5	87.5
	H1	45.5	48.8	52	56.3	61.3	67
585	H2	22.5	25.8	29	33.3	38.3	44
	C	4.8	4.8	5.8	7.8	7.8	7.8
	Ø Y	M8x1.25		M9x1.25	M12x1.75		M14x2
585	Weight (Kg)	0.246	0.328	0.450	0.650	0.940	1.470
560	Weight (Kg)	0.224	0.293	0.426			

BRASS BALL VALVE ACS PN30 BATIMENT + 4MS

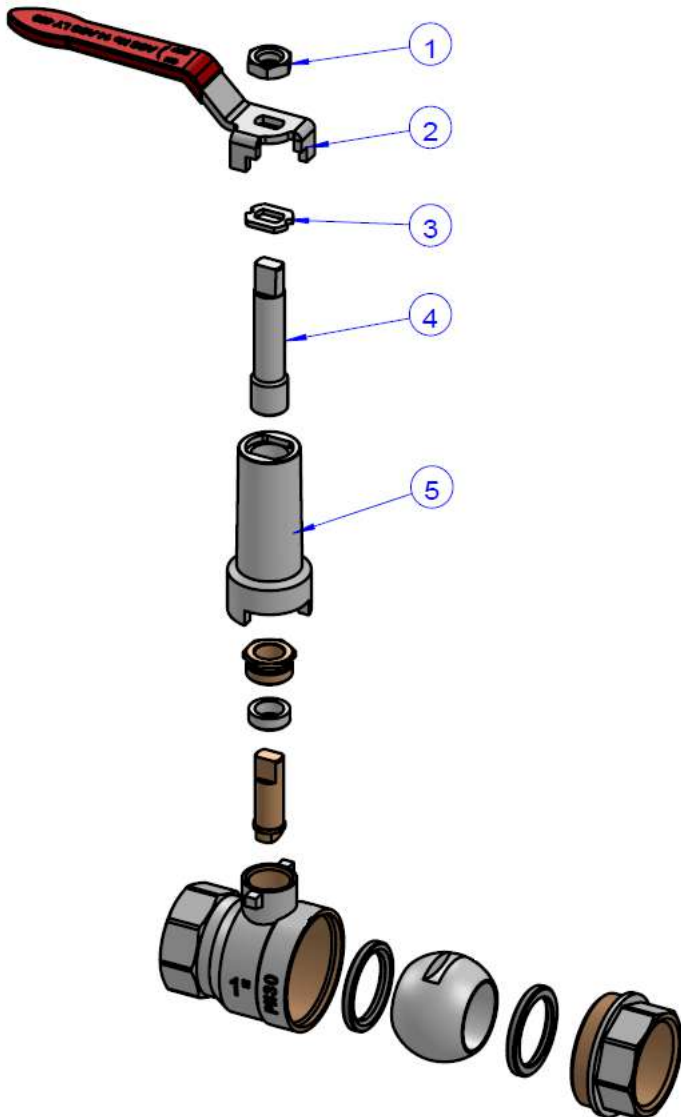
STEM EXTENSION SIZE REF.981233 (in mm) :



DN	3/8"	1/2"	3/4"	1"	1"1/4"	1"1/2"	2"
H	97.3	100.7	104	111.2	119.7	126.7	140
H1	59.5	59.5	59.5	59	56.2	56.2	58
Weight (Kg)	0.19	0.24	0.32	0.47	0.69	0.95	1.49
Ref.	9812330	9812331		9812332	9812333		9812334

BRASS BALL VALVE ACS PN30 BATIMENT + 4MS

STEM EXTENSION INSTALLATION REF.981233 :



- Remove the handle
- Install the extension housing (item 5) on the valve body
- Screw stem (item 4) on the valve stem up to the stop then unscrew a little so that the stem would be in the position below so that you could put item 3



- Install washer (item 3) as shown above
- Install handle (item 2) on the stem
- Screw the nut (item 1) on the stem to fix the handle



BRASS BALL VALVE ACS PN30 BATIMENT + 4MS

STANDARDS :

- Manufacturer certified ISO 9001 :2015 and ISO 14001 : 2015
- DIRECTIVE 2014/68/EU : Products excluded from directive (Article 1, § 2.b)
- French water agreement **A.C.S. N° 19 ACC LY 649**
- Threaded male and female BSP cylindrical ends according to ISO 228-1

ADVICE : Our opinion and our advice are not guaranteed and SFERACO shall not be liable for the consequences of damages.
The customer must check the right choice of the products with the real service conditions.